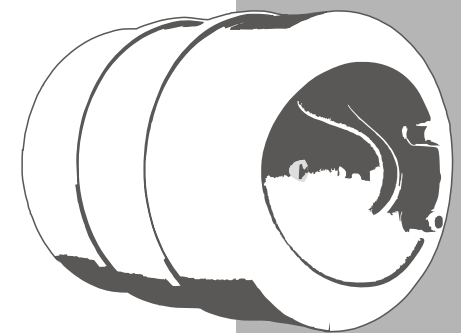


ELECTRIC WATER HEATER



MULTI Series
User's Manual

Dear Customer,

Thank you for choosing **Multi**, a **Ferrol**i electric water heater featuring advanced design, cutting-edge technology, high reliability and quality construction. Please read this manual carefully and keep it for future reference.

Index

1. Introduction	1
2. General view and main components	2
3. Technical data table	2
4. Installation	3
5. Operating instructions	6
6. Safety warnings	6
7. Maintenance	7
8. Trouble shooting	7
9. Wiring diagram	8
10. Packing list	8

Introduction

Multi is a **high-efficiency** heat generator for hot water production running on electric power and regulated by an advanced temperature setting system.

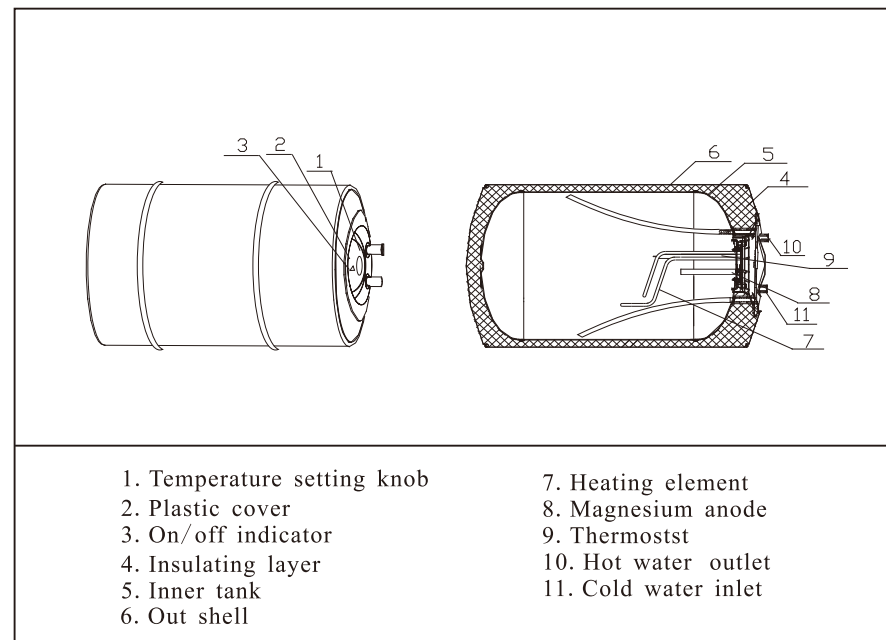
The product is equipped with extra thick insulating layer which can effectively **prevent** the heat loss from the out shell and save the energy.

The heater has a good safety system by using anti over-heating protection, anti over pressure protection and automatic cutting off according to desired temperature.

The product is made from the production line that is fully computer controlled the special designed silicon powder is well coated on the inner tank surface by electrostatic technology. Process of cooking at 850°C finally makes the inner tank perfectly protected against shock and corrosion.

The extra big magnesium anode also provides a long product **life**.

General view and main component



drawing 1

Technical data table

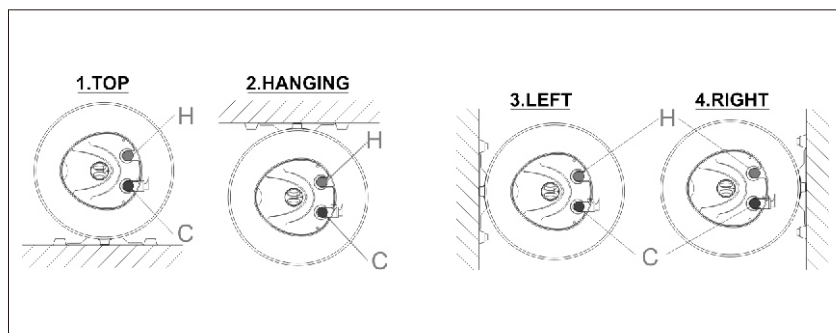
Table 1

Item	Mode				
	SEH30-3.0	SEH40-3.0	SEH56-3.0	SEH80-3.0	SEH100-3.0
Rated water capacity (L)	30	40	56	80	100
Rated power (kW)	3.0				
Power supply	230V ~ 50/60Hz				
Rated pressure (MPa)	0.8				
Temperature setting range (°C)	35~75				
Overall dimension (mm)	Φ368×510	Φ368×620	Φ368×730	Φ450×775	Φ450×945
Specification of cold and hot water joints	G1/2"				
Installation	(*) Horizontal type on ceiling (**) Horizontal type on wall				

Installation

How to regulation of position of mounting rings

We have installed the mounting rings on the product. You may regulate the position of mounting rings according to actual requirements for installation. Loose 4 screws on the lower part of product.turn the mounting rings to a proper position. Fix the mounting rings with four screws removed before.



drawing 2

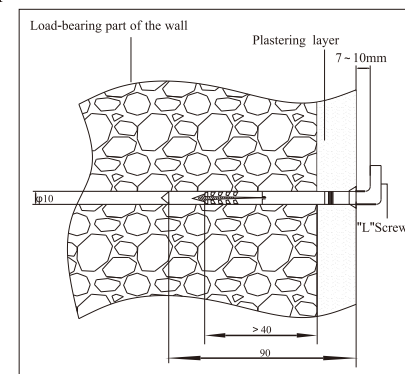
How to install the water heater on the wall

1. Confirm that the wall can support double the weight of the heater filled up with water.
2. drill two pre-holes with the diameter a little smaller than that of the plastic expansive plug using a hammer drill.then expand the holes using normal drill.until the diameter of the holes is equal to the diameter of plastic expansive plug.

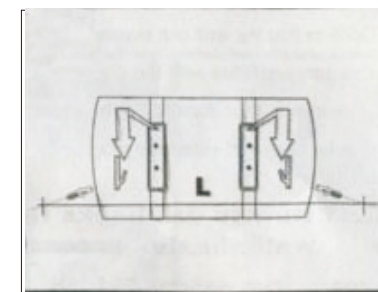
How to use "L"screws to install water heater

Products which use "L"screws:

1. Use spanner to screws the "L"screws till the dimension between the head of "L"screws and the wall are 7~10mm, in the same time, the head of "L"screws are up. (see Fig.3)
2. To reduce heat loss, the water heater should be installed in a place nearest to the point of use. at least a space of 50 cm around the heater should be kept empty for maintenance purpose.
3. You could use other kinds of expansive plugs and screws according to the structure of the wall, but make sure that the depth of the expansive plug in load-bearing part of the wall is not less than 40 mm (see Fig.5).
4. lean the water heater on the wall and move downwards slowly till the water heater catch couples with the hooks or "L"screws on the wall. Pull the heater downwards to make sure that the appliance has been fastened reliably (see Fig.4).



drawing 3



drawing 4

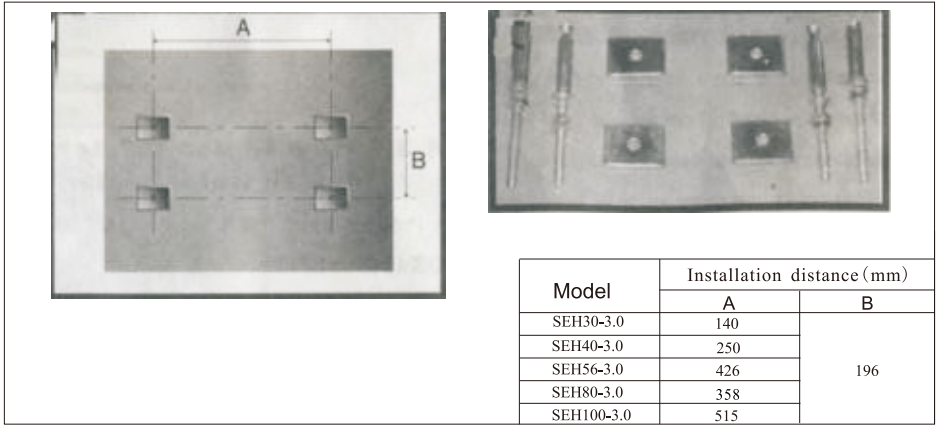
Model	Installation distance for wall mounted(mm)
SEH30-3.0	140
SEH40-3.0	250
SEH56-3.0	426
SEH80-3.0	358
SEH100-3.0	515

How to install the water heater on the ceiling

1. Confirm that the ceiling can support double weight of the water heater filled up with water.
2. Drill four pre-holes with the diameter a little smaller than that of the steel expansive screws using a hammer drill.then expand the holes using normal drill,until the diameter of the holes is equal to the diameter of steel expansive screws.
3. Install the steel expansive screws using hammer.
4. Fasten the water heater on the ceiling using bracket supplied with the appliance(see Fig.5).

Caution:the appliance should be installed indoor

Empty the water heater when it is not use.avoid freezing and damaging the heater during winter to empty the water heater.

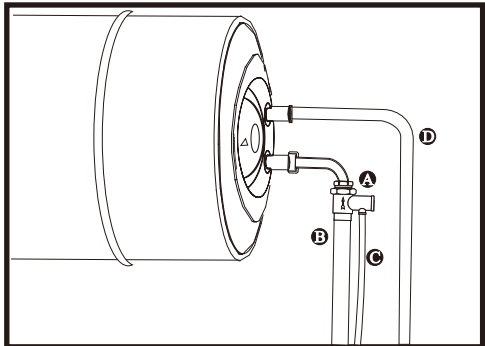


drawing 5

⚠ Installation must be done by qualified/approved personnel.

Water connection

1. Screw the safety valve(A)supplied with the water heater onto the water inlet of the appliance marked in blue (see Fig.6).
2. Connect the main cold water pipe (B) to the lower end of the safety valve.
3. Connect the drain pipe (C) to the drain end of the safety valve. Another end of the drain pipe should be open to the atmosphere. The drain pipe should be kept downwards on the tilt,in any case it will not directly face the user.
4. Connect the hot water pipe (D) to the outlet of the water heater marked in red.
5. The water - in and water - out connection pipes should be able to bear water pressure of 0.8 MPa and high temperature of 98°C.
6. Do not screw the safety valve too hard to avoid damaging it.



drawing 6

7. If a valve is installed on the supply pipe, keep the valve open normally .

8. A slight drip from the drain outlet of the safety valve (see Fig.7) is normal during heating , which means that the pressure in the heater is released .

9. Under normal operation , water should be flow out If no water goes out, please contact the local Service Agency .



drawing 7

Operating instructions

1. Confirm the heater has been filled with water and electrical connected.
2. Turn the temperature-setting knob to the required temperature. The on/off indicator should light and the heater starts to work.
3. The water heater has automatic constant temperature control function. The heater will shut off if water temperature reaches the setting, while turn on to ensure constant water temperature if water temperature drops down from desired one.

⚠ Safety warnings

1. The heater should be filled with water before the first use (or the first time of use after maintenance or cleaning). Fill the heater . It is forbidden to switch on the product when it is not filled.
2. The highest water temperatures can reach above 75°C . Initially, feel water temperature with hands and avoid spraying to the body directly.
3. If water heater is installed with a water valve on cold inlet during working period, this valve must be always kept open.
4. Only the original safety valve from the product packing must be used and installed on the cold water inlet of the heater. Never temper with the safety valve.
5. During the heating period, it is normal if there is any water drops from pressure release outlet of the safety valve. Don't block up the safety valve.
6. Drainpipe that connects to the pressure release outlet must facing downward and be left open to atmosphere.
7. Any damage, which will occur to the electrical components, must be checked only by authorized technician.
8. During the winter, in case the water heater hasn't been used for a long period, water should be drained off to prevent inner tank freeze. Please remind to shut off the product before drainage.

9. The new hose-sets supplied with the appliance are to be used and that old hose-sets should not be reused.

⚠ Appliance not intended for use by persons (including children) with reduced physical, sensory or mental capabilities, or lack of experience and knowledge. Children should be supervised by a person responsible for their safety to ensure that they do not play with the appliance.

Maintenance

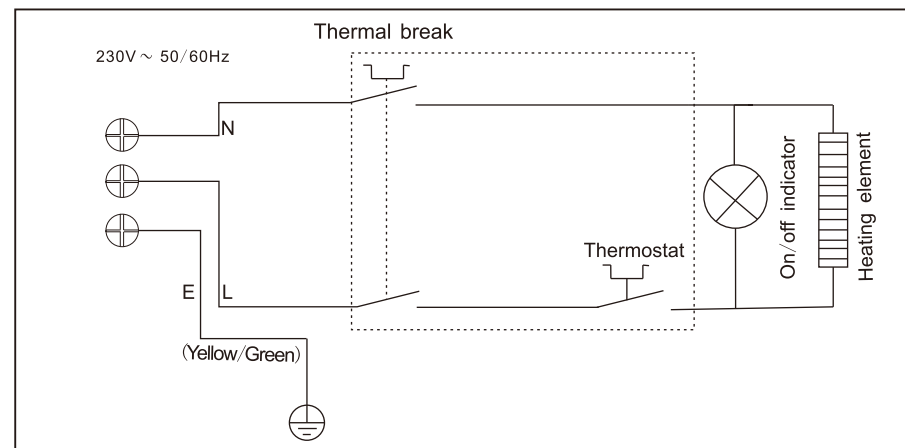
1. Since water contains micro-impurity and mineral substance, deposit will occur on the bottom of the inner tank after long term of use, the water heater should be emptied to remove the deposit.
2. Generally, the heater should be cleaned once a year. (If used in zones with low water quality, the cleaning period should be shorter accordingly.)
3. The magnesium anode replacement should be done by customer service.
4. Heater empty procedures: Close water inlet valve, unscrew safety valve and hot water outlet. Water will flow out through cold water inlet till empty.
5. For exterior part cleaning of the product, no water spraying directly, clean and dry it with soft cloth lightly.
6. Keep exterior part of the water heater dry and clean.

Trouble shooting

Table 2

Fault possible	Cause	Cure
No water comes out	Incorrect connection of pipes	Connect correctly
	Valve blocking	Clean or replace the valve
On/off indicator not working	No power connection	Check electrical connection
	Overheating occurs	Call customer service
	Indicator breaks	
Not enough hot water	Temperature setting knob has not been switched to "High"	Turn the knob towards "High"
	Extremely cold water when using mixer.	Adjust mix of hot water and cold water
	Failure of thermostat	Call customer service
	Failure of heating element	

Wiring Diagram



drawing 8

Note: Means for disconnection must be incorporated in the fixed wiring in accordance with the wiring rules.

When connecting the power supply cable, make sure that all the nuts of the electric terminals and contacts are properly tightened.

Information of wiring installation and cable size used.

Rated Power	Cross-sectional area of cable
3.0kW	$\geq 1.5\text{mm}^2$

⚠ Installation must be done by qualified/approved personnel.

Packing list

Table 3

No.	Name	Quantity
1	Safety valve	1 piece
2	Gasket	1 pieces
3	User's manual	1 copy
4	Expand bolts	2 pieces
5	Hook	2 pieces
6	Ceil expand bolts	4 pieces